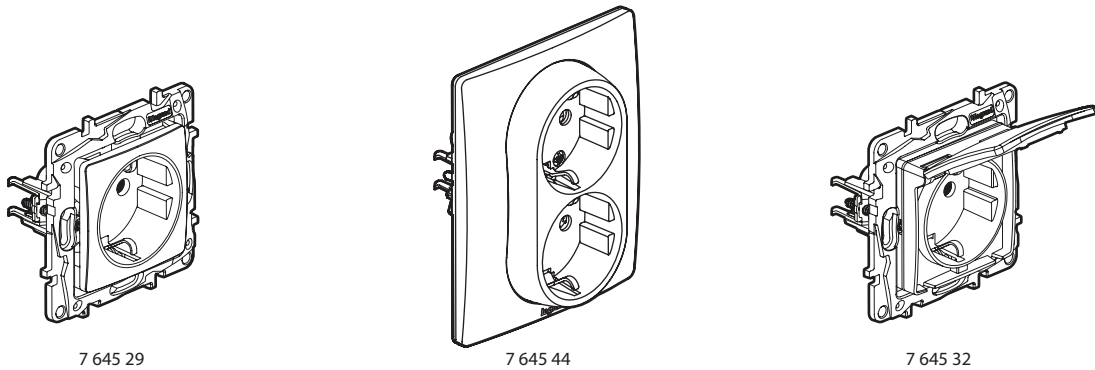


## Niloé™ Socket outlets - German Standard

Cat. No(s): 7 645 29/32/44 - 7 646 29/32/44



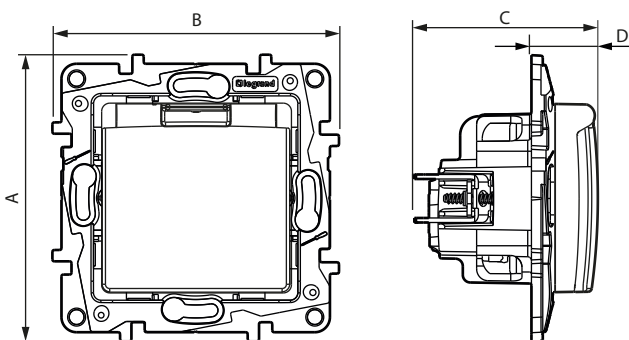
### 1. USE

16 A - 250 V~ socket outlets with shutters.  
 Flush-mounting or surface-mounting.  
 Screw or claw fixing.

### 2. RANGE

Description	White	Ivory
2 P+E socket Supplied with cover plate and support frame To be equipped with plate	7 645 29	7 646 29
2 P+E socket outlet with flap cover Supplied with cover plate and support frame To be equipped with plate	7 645 32	7 646 32
2 x 2 P+E compact socket outlet Installation in 1-gang flush-mounting box Supplied complete with plate Allows you to replace 1 socket with 2 sockets without changing the flush-mounting box	7 645 44	7 646 44

### 3. DIMENSIONS (mm)



References	A	B	C	D
7 645 29 - 7 646 29	76	76	41	10
7 645 32 - 7 646 32	76	76	49	18
7 645 44 - 7 646 44	104	86	51,5	22,5

### 4. CONNECTION

Type of terminals: with screws  
 Terminal capacity: 2 x 2.5 mm<sup>2</sup>  
 Stripping length : - 9 mm for 2 P and 2 P+E socket outlets  
 - 13 mm for double socket outlets 2 x 2 P+E  
 Screwdriver: Posidrive 1, Philips 1, flat 4 mm.

### 5. TECHNICAL CHARACTERISTICS

#### ■ 5.1 Mechanical characteristics

Protection against solid bodies and liquids: IP 31  
 Protection against impact: IK 04

#### ■ 5.2 Material characteristics

Polyglass appearance

Colour: - White RAL 9003  
 - Ivory RAL 1013

Material: - Plate and flap: ABS  
 - Socket cover plate: PC  
 - Halogen free  
 - UV resistant

Material of the support: - PC grey RAL 7037 + 10 % glass fiber  
 - Halogen free

Self-extinguishing:

+ 850° C / 30 s for insulating parts holding live parts in place  
 + 650° C / 30 s for other parts made of insulating materials.

#### ■ 5.3 Electrical characteristics

Voltage: 250 V~  
 Current: 16 A  
 Frequency: 50/60 Hz

#### ■ 5.4 Climatic characteristics

Storage temperature: - 10° C to + 70° C  
 Use temperature: - 5° C to + 35° C

## Socket outlets - German Standard

---

### 6. MAINTENANCE

Surface cleaning with a cloth.

Do not use: acetone, tar remover, trichloroethylene.

Maintenance with the following products: Hexane (EN 60669-1), Methylated spirit, Soapy water, Diluted ammonia, Bleach diluted to 10%, Window-cleaning products.

**Caution:** A preliminary test should be carried out if other specific cleaning products are to be used.

### 7. STANDARDS AND APPROVALS

Compliance with standards of installation and manufacturing.

Refer to e. catalogue.